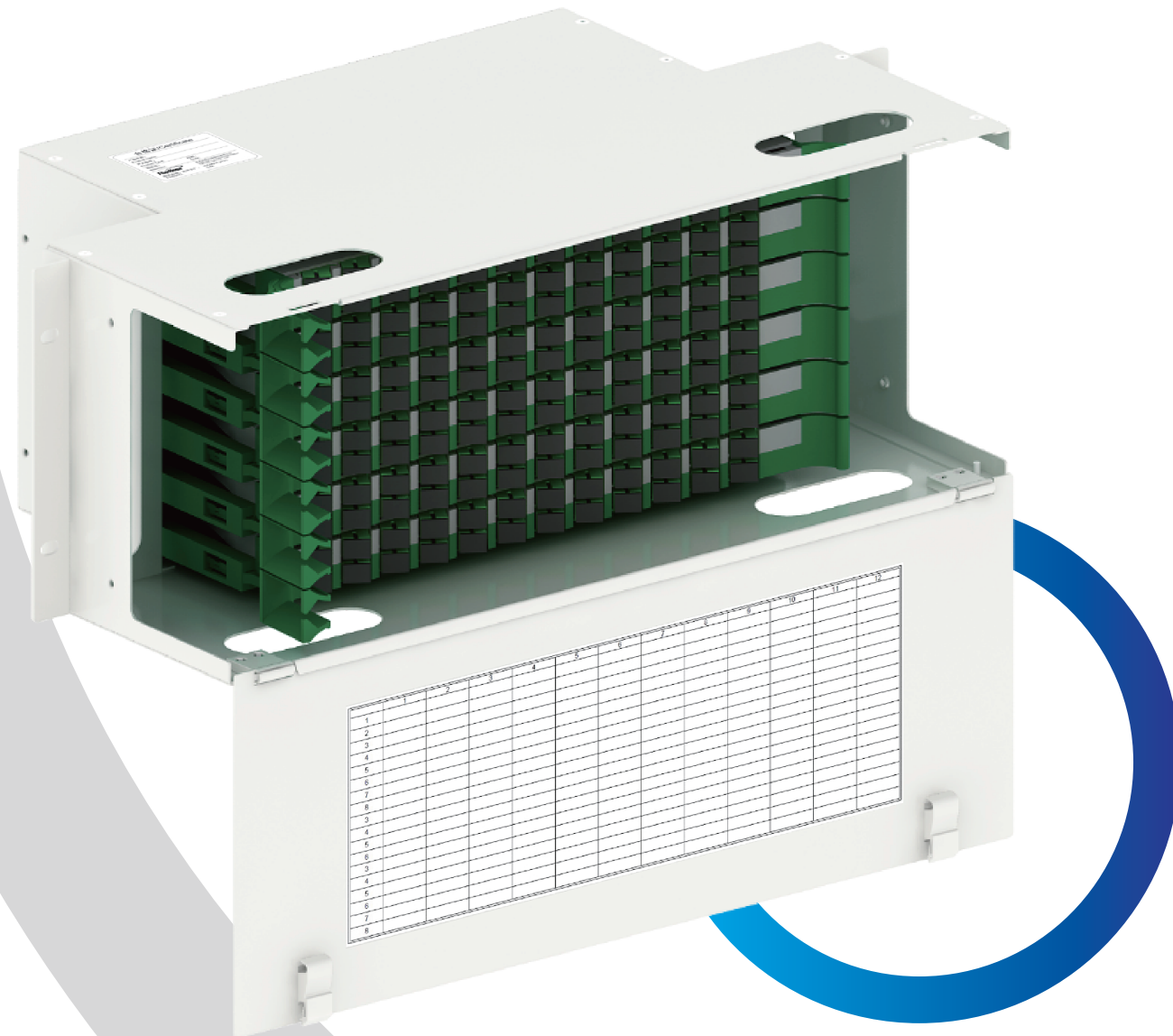


Optical Distribution Unit

02

ODU series ODF sub-rack could be classified to integrated splicing & termination sub-rack and separated splicing & termination sub-rack. It usually is used in ODF rack or other telecommunication cabinets. It is a distribution and cross-connection passive equipment between optical cable and device or between different devices.

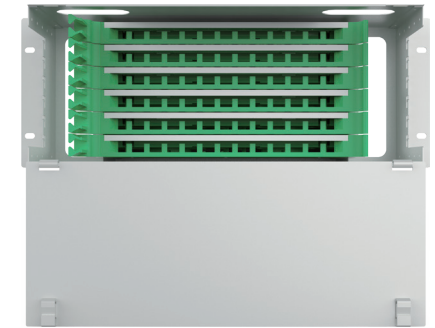
ODU sub-rack is used as a module of ODF rack, provides functions such as cable fixing, fiber protection and storage. It can be selected to meet different splice and termination requirement according to specific application scenarios.



FitODU19T-E series

Features

- Easy to operate
- Modular design is available



Series parameter



FitODU19T-A12-E
 19"×1U×250
 Capacity (12F-tray, SC): 12
 Capacity (24F-tray, SC): 24



FitODU19T-A24-E
 19"×2U×250
 Capacity (12F-tray, SC): 12
 Capacity (24F-tray, SC): 24



FitODU19T-A48-E
 19"×3U×250
 Capacity (12F-tray, SC): 12
 Capacity (24F-tray, SC): 24

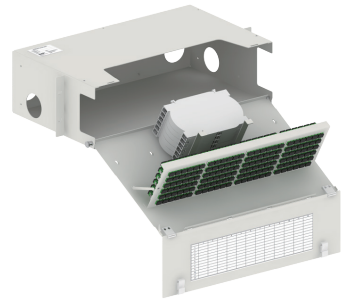


FitODU19T-A72-E
 19"×4U×250
 Capacity (12F-tray, SC): 12
 Capacity (24F-tray, SC): 24





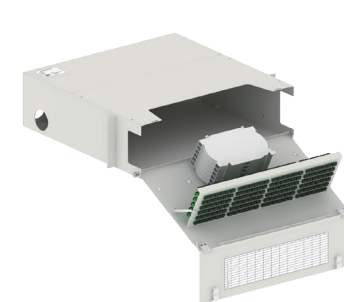
FitODU19RP-CSS144-C



FitODU19RP-C series

Type	Size (W×H×D, mm)	Capacity (sc)
FitODU19RP-CSS6-C	19"×1U×270	6
FitODU19RP-CSS12-C	19"×1U×270	12
FitODU19RP-CSS24-C	19"×1U×270	24
FitODU19RP-CSS48-C	19"×1U×270	48
FitODU19RP-CSS72-C	19"×2U×270	72
FitODU19RP-CSS96-C	19"×2U×270	96
FitODU19RP-CSS144-C	19"×3U×270	144

FitODU19RP-CSS144-L



FitODU19RP-L series

Type	Size (W×H×D, mm)	Capacity (sc)
FitODU19RP-CSS6-L	19"×1U×450	6
FitODU19RP-CSS12-L	19"×1U×450	12
FitODU19RP-CSS24-L	19"×1U×450	24
FitODU19RP-CSS48-L	19"×1U×450	48
FitODU19RP-CSS72-L	19"×2U×450	72
FitODU19RP-CSS96-L	19"×2U×450	96
FitODU19RP-CSS144-L	19"×3U×450	144



FitODU19RP-CSS96-C



FitODU19RP-G series

Type	Size (W×H×D, mm)	Capacity (sc)
FitODU19RP-CSS6-G	19"×1U×190	6
FitODU19RP-CSS12-G	19"×1U×190	12
FitODU19RP-CSS24-G	19"×1U×190	24
FitODU19RP-CSS48-G	19"×1U×190	48
FitODU19RP-CSS72-G	19"×2U×190	72
FitODU19RP-CSS96-G	19"×2U×190	96

FitODU19SP-H-A



FitODU19SP series

Type	Size (W×H×D, mm)	Splitter type	Capacity of splitter
FitODU19SP-H-A	19"×2U×230	1: 32 LGX-M splitters	32
FitODU19SP-B-A	19"×4U×183	1: 8 LGX-B splitters	16

FitODU19SP-B-A

